



# 30318

- Popular item

## Tapered roller bearings, single row

### Bearing data

[Tolerances,](#)

Normal and CL7C, CLN, Normal and CL, deviating width

### Bearing interfaces

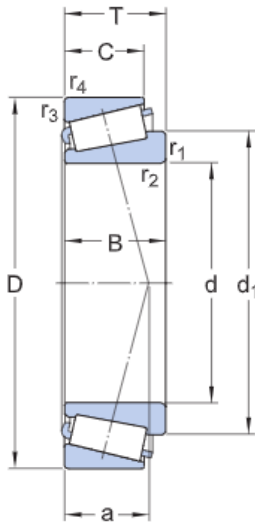
[Seat tolerances for standard conditions,](#)

[Tolerances and resultant fit](#)

## Technical specification

Dimension series

2GB

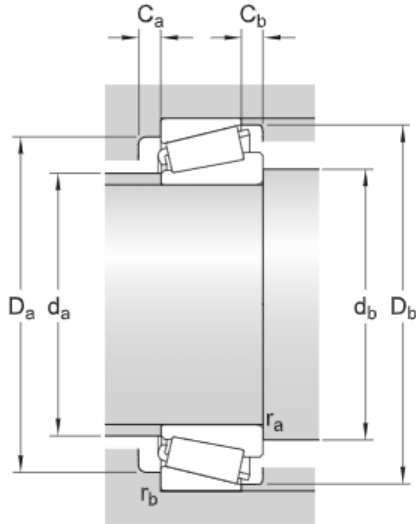


### DIMENSIONS

d	90 mm	Bore diameter
D	190 mm	Outside diameter
T	46.5 mm	Total bearing width
d1	≈133.48 mm	Inner ring shoulder diameter
B	43 mm	Width inner ring
C	36 mm	Width outer ring
r1,2	min.4 mm	Corner radius inner ring
r3,4	min.3 mm	Corner radius outer ring
a	36.016 mm	Distance pressure point

### ABUTMENT DIMENSIONS

da	max.114 mm	Abutment diameter shaft
	min.105.5	Abutment



$d_b$	mm	diameter shaft
$D_a$	min.165 mm	Abutment diameter housing
$D_a$	max.177.5 mm	Abutment diameter housing
$D_b$	min.176 mm	Abutment diameter housing
$C_a$	min.6 mm	Abutment housing - axial space at the large side face/ both sides of the outer ring
$C_b$	min.10.5 mm	Abutment housing - axial space at the small side face/ both sides of the outer ring
$r_a$	max.4 mm	Fillet radius
$r_b$	max.3 mm	Fillet radius

CALCULATION DATA

Basic dynamic load rating	C	353 kN
Basic static load rating	$C_0$	400 kN
Fatigue load limit	$P_u$	44 kN
Reference speed		2 600 r/min
Limiting speed		3 600 r/min
Calculation factor	e	0.35
Calculation factor	$\gamma$	1.7
Calculation factor	$\gamma_0$	0.9

MASS

Mass bearing	5.63 kg
--------------	---------